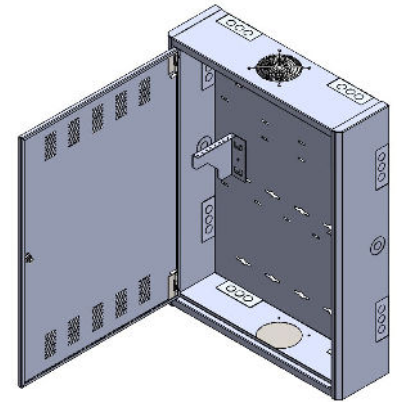


LDF Series Wall and Ceiling Units

LDF Wall and Ceiling Cabinets

Features

- Compact shallow design is ideal for small premise, school and office spaces
- Houses 19" multimedia cross connect panels and active network in one cabinet
- Vertical rack space for 19" hubs, UPS etc.
- Additional rack space for 19" patch panels that hinges down for front access of terminations
- Horizontal mounting units available in all four sizes
- Optional rail placement provides for deeper equipment mounting when hinged rail brackets are not used
- Cable entrance points include 1/2" conduit knockouts and standard WM 4000 raceway entrance on all sides
- Secure environment with lock installed in front door
- Door is field reversible left to right
- Vented construction provides dissipation of 160 watts without fan
- Fully welded 16 gauge carbon steel construction
- Top and bottom of cabinet accepts optional fan kit
- UL Listed
- Mounting provisions for duplex electrical box
- Multiple cable tie off points for cable management
- Multiple mounting holes in rear allow for variances in wall studs when mounting
- Ground studs for grounding door to base
- Drop Ceiling units available in 24"W x 10" or 7" depths
- Ceiling units drop into the "T" bar ceiling grid
- Choice of colors: Color Code = "x" Black (BLK) or IBM White (W)



LDF Wall Cabinets

Part Number	Dimensions	Active RU	Passive RU	Wt. Capacity
SWE4446x	24"W X 10"D X 32"H	5U (17"D)	4U	100 lbs.
SWE4446-Hx	Horizontal Mt. 24"W x 10"D x 32"H	5U (17"D)	4U	100 lbs.
SWE4447x	24"W X 10"D X 24"H	5U (11"D)	4U	100 lbs.
SWE4447-Hx	Horizontal Mt. 24"W x 10"D x 24"H	5U (11"D)	4U	100 lbs.
SWE4447-DCMx	Drop Ceiling Mt 24"W x 10"D x 24"H	5U (11"D)	4U	100 lbs.
SWE4448x	24"W X 7"D X 32"H	3U (17"D)	3U	100 lbs.
SWE4448-Hx	Horizontal Mt. 24"W X 7"D X 32"H	3U (17"D)	3U	100 lbs.
SWE4449x	24"W X 7"D X 24"H	3U (11"D)	3U	100 lbs.
SWE4449-Hx	Horizontal Mt. 24"W X 7"D X 24"H	3U (11"D)	3U	100 lbs.
SWE4449-DCMx	Drop Ceiling Mt. 24"W X 7"D X 24"H	3U (11"D)	3U	100 lbs.

LDF Series Wall and Ceiling Units

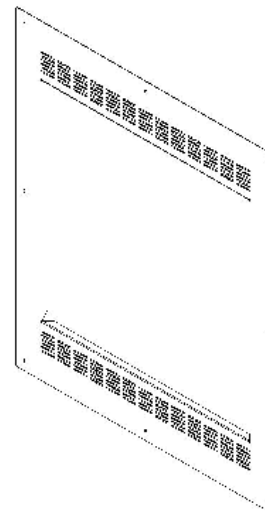
Accessories

Trim Ring

Features

- Available in two heights to frame SWDP's LDF wall and ceiling cabinets
- 16 GA steel construction
- Vented top and bottom
- Choice of colors: Color Code = "x" Black (BLK) or IBM White (W)

Part Number	Dimensions	Fits LDF Cabinet:
SWELDF24	30"W x 36"H	SWE4447, SWE4449
SWELDF32	30"W x 44"H	SWE4446, SWE4448



LDF Trim Ring