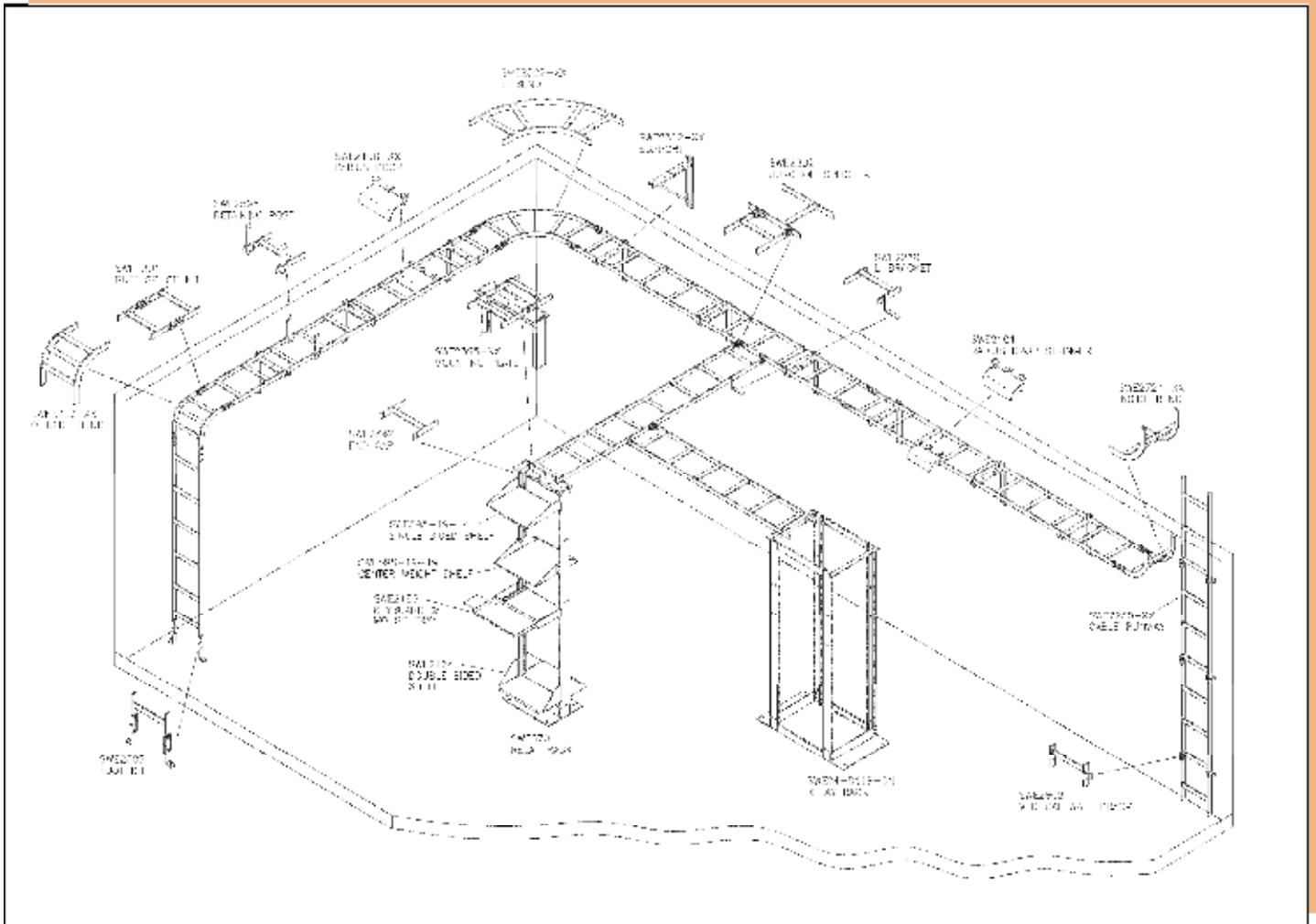


CABLE RUNWAY





CABLE RUNWAY cont'd

SWE2250 Series:

- 3/8" x 1-1/2" x .065" rectangular steel tubing construction
- Cross members welded on 12" centers
- Standard length of 9' 11-1/2"
- Choice of colors: *Color Code* = "x" Black (BLK) or ASA61 Gray (G), Gold Zinc (GZ) or Black Zinc (BZ)

Note: BZ and GZ finished ladder have "C" channel cross members

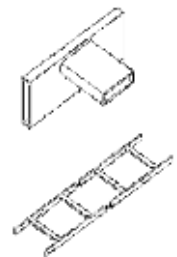
Part #	Description
SWE2250-6x	9' 11-1/2"L x 6"W
SWE2250-12x	9' 11-1/2"L x 12"W
SWE2250-18x	9' 11-1/2"L x 18"W
SWE2250-24x	9' 11-1/2"L x 24"W



SWE2250 Series

Easy Ship Cable Runway Kit SWE2170-12KT

- Packaged to meet UPS requirements without additional charges
- Cross members welded on 12" centers
- Kit includes:
 - (2) pc cable runway 54" (4' 6") long x 12" wide
 - (1) SWE2301GZ – Butt Splice Kit
- Choice of colors: *Color Code* = "x" Black (B) or ASA61 Gray (G)



SWE2170-12KT

Movable Cross Member SWE2115

- Provides cable drop at any point between cross members
- Easy bolt on installation – mounts to any 1-1/2" x 3/8" runway
- Includes zinc plated hardware

Part #	Description
SWE2115-6x	Fits 6"W Cable Runway
SWE2115-12x	Fits 12"W Cable Runway
SWE2115-18x	Fits 18"W Cable Runway
SWE2115-24x	Fits 24"W Cable Runway



SWE2115 Series



CABLE RUNWAY cont'd

SWE2606 Series:

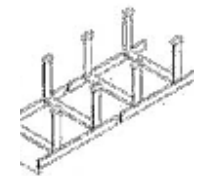
- 3/8" x 1-1/2" x .065" rectangular steel tubing construction
- Cross members welded on 12" centers with vertical members on both sides to form a trough (accommodates larger cable runs)
- Use with heavy duty splice kits (SWE2298x – HD Junction Splice Kit and SWE2299x – HD Butt Splice Kit)
- Standard length of 9' 11-1/2"
- Choice of colors: *Color Code* = "x" Black (BLK) or ASA61 Gray (G)

Part #	Description
SWE2606-12x	9' 11-1/2" L x 12" W
SWE2606-18x	9' 11-1/2" L x 18" W
SWE2606-24x	9' 11-1/2" L x 24" W

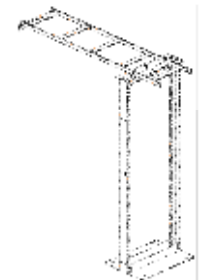
Wall to Rack Kit SWE2911-12

- Provides support for cable between equipment rack and wall
- Equipment Rack not included
- Kit includes:
 - (1) SWE2250-12-54x 12"Wx54"L Runway
 - (1) SWE2421-12x Wall Angle Support
 - (1) SWE2595-12x Rack to Runway Plate
 - (1) SWE2642 End Caps
 - (3) SWE2308GZ J-Bolt Kits

Choice of colors: *Color Code* = "x" Black (BLK) or ASA61 Gray



SWE2606 Series



SWE2911-12

CABLE RUNWAY cont'd

Radius Bends:

- 3/8" x 1-1/2" x .065 rectangular steel tubing construction
- Designed for category 5 bend radius compliance
- Usable on any 1-1/2" x 3/8" tubular or solid type cable runway
- Cross members welded on 23° centers
- Choice of colors: *Color Code* = "x" Black (BLK) , ASA61 Gray (G), Gold Zinc (GZ) or Black Zinc (BZ)

Note: BZ and GZ finished ladder have "C" channel cross members

Radius Outside Bend	Radius Inside Bend	Width
SWE2723-6x	SWE2724-6x	6"
SWE2723-12x	SWE2724-12x	12"
SWE2723-18x	SWE2724-18x	18"
SWE2723-24x	SWE2724-24x	24"

E-Bends:

- Creates a gradual 90 degree horizontal sweep for cable runway runs
- Designed for category 5 bend radius compliance
- Usable on any 1-1/2" x 3/8" tubular or solid type cable runway
- Cross members welded on 23° centers
- Butt Splice Kits not included
- Choice of colors: *Color Code* = "x" Black (BLK), ASA61 Gray (G), Gold Zinc (GZ) or Black Zinc (BZ)

Note: BZ and GZ finished ladder have "C" channel cross members

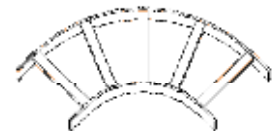
Part #	Width
SWE2822-6x	6"
SWE2822-12x	12"
SWE2822-18x	18"
SWE2822-24x	24"



SWE2723 Outside Bend



SWE2724 Inside Bend



SWE2822