

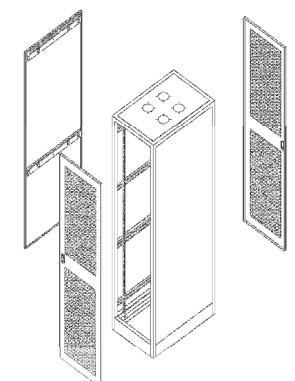


SC SERIES PRE-CONFIGURED CABINETS

“V3” and “V4”

- Available in two widths, four heights and five depths
- All welded 14 gauge steel tubing construction provides a 2000 lb. static load rating
- Seismic Zone 4 rated, UL listed
- 19” wide rack mount
- Mounting rails (2 pr. included) are cage nut style, punched on EIA 5/8-5/8-1/2” standard spacing and are fully adjustable front to rear. All are provided with M6 Cage Nuts and screws (bag of 50 each)
- Flush mounted removable side panels secured from inside of cabinet provide optimal security
- Lockable flush mount removable doors with Perforated or Plexiglas inserts are field reversible without tools
- Flush mount fan top allows for up to (4) 110 CFM fans to be placed in cabinet top for maximum cooling
- Open base for raised floor ventilation option
- Bottom corners gusseted with both seismic tie down and caster mount features
- Four point leveling
- Choice of colors: *Color Code = “x”* Black (BLK) or IBM White (W)

(See Pre-Configured Part numbers – page 2)



V3 Includes:

1	Frame
2pr	Cage Nut Rails
2	Solid Side Panels
1	Top w/Fan Holes
2	Perforated Doors

V4 Includes:

1	Frame
2pr	Cage Nut Rails
2	Solid Side Panels
1	Top w/Fan Holes
1	Plexiglas Door
1	Perforated Door



SC SERIES PRE-CONFIGURED CABINETS cont'd

"V"3 – Perf Doors	Outside Dimensions	RMU	Useable Depth	"V"4 – Plex & Perf Doors
SC48X24-V3x	24"W X 24"D X 48"H	23U	22"	SC48X24-V4x
SC48X30-V3x	24"W X 30"D X 48"H	23U	28"	SC48X30-V4x
SC48X36-V3x	24"W X 36"D X 48"H	23U	34"	SC48X36-V4x
SC48X42-V3x	24"W X 42"D X 48"H	23U	40"	SC48X42-V4x
SC48X48-V3x	24"W X 48"D X 48"H	23U	46"	SC48X48-V4x
SC72X24-V3x	24"W X 24"D X 72"H	37U	22"	SC72X24-V4x
SC72X30-V3x	24"W X 30"D X 72"H	37U	28"	SC72X30-V4x
SC72X36-V3x	24"W X 36"D X 72"H	37U	34"	SC72X36-V4x
SC72X42-V3x	24"W X 42"D X 72"H	37U	40"	SC72X42-V4x
SC72X48-V3x	24"W X 48"D X 72"H	37U	46"	SC72X48-V4x
SC78X24-V3x	24"W X 24"D X 78"H	42U	22"	SC78X24-V4x
SC78X30-V3x	24"W X 30"D X 78"H	42U	28"	SC78X30-V4x
SC78X36-V3x	24"W X 36"D X 78"H	42U	34"	SC78X36-V4x
SC78X42-V3x	24"W X 42"D X 78"H	42U	40"	SC78X42-V4x
SC78X48-V3x	24"W X 48"D X 78"H	42U	46"	SC78X48-V4x
SC84X24-V3x	24"W X 24"D X 84"H	44U	22"	SC84X24-V4x
SC84X30-V3x	24"W X 30"D X 84"H	44U	28"	SC84X30-V4x
SC84X36-V3x	24"W X 36"D X 84"H	44U	34"	SC84X36-V4x
SC84X42-V3x	24"W X 42"D X 84"H	44U	40"	SC84X42-V4x
SC84X48-V3x	24"W X 48"D X 84"H	44U	46"	SC84X48-V4x
Note: For wider (28") frame, add "-28" to part # e.g. SC84x36-V3-28BK				



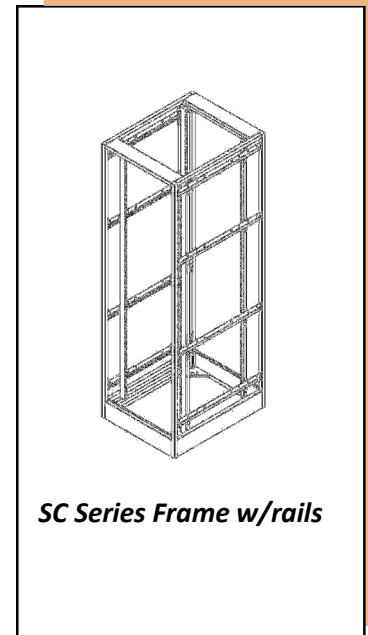
SC SERIES FRAMES AND MOUNTING RAILS

Frames:

- 19" and 23" wide rack mount
- Available in 4 heights and 5 depths
- All welded 14 gauge steel tubing provides a 2000 lb. static load rating
- Bottom corner gussets for caster mounts or seismic tie down points
- Frames are Seismic Zone 4 rated, UL Listed
- Choice of colors: *Color Code = "x"* Black (BLK) or IBM White (W)

Mounting Rails

- 12 gauge steel mounting rails available in Cage Nut (standard) or tapped Versions
 Cage Nut – Holes punched to accept Cage Nuts on EIA standard spacing
 Tapped – Holes tapped #10-32 on EIA standard spacing
- 4" wide rails convert 28" wide frame to 19" rack mount (add "-4" to part number e.g. SWE730-CN-4)
- Sold separately in pairs – includes appropriate mounting hardware when ordered with cabinet frame



Frame Part Numbers:

24" Deep	30" Deep	36" Deep	42" Deep	48" Deep
48" H (23U) H X W X D				
FR-A48X24X24x	FR-A48X24X30x	FR-A48X24X36x	FR-A48X24X42x	FR-A48X24X48x
FR-A48X28X24x	FR-A48X28X30x	FR-A48X28X36x	FR-A48X28X42x	FR-A48X28X48x
** USE SWE740-CN (CAGE NUT) OR SWE740 (TAPPED) MOUNTING RAILS**				
72"H (37U) H X W X D				
FR-A72X24X24x	FR-A72X24X30x	FR-A72X24X36x	FR-A72X24X42x	FR-A72X24X48x
FR-A72X28X24x	FR-A72X28X30x	FR-A72X28X36x	FR-A72X28X42x	FR-A72X28X48x
USE SWE700-CN (CAGE NUT) OR SWE700 (TAPPED) MOUNTING RAILS				
78"H (42U) H X W X D				
FR-A78X24X24x	FR-A78X24X30x	FR-A78X24X36x	FR-A78X24X42x	FR-A78X24X48x
FR-A78X28X24x	FR-A78X28X30x	FR-A78X28X36x	FR-A78X28X42x	FR-A78X28X48x
USE MR73.5-CN (CAGE NUT) OR MR73.5 (TAPPED) MOUNTING RAILS				
84"H (44U) H X W X D				
FR-A84X24X24x	FR-A84X24X30x	FR-A84X24X36x	FR-A84X24X42x	FR-A84X24X48x
FR-A84X28X24x	FR-A84X28X30x	FR-A84X28X36x	FR-A84X28X42x	FR-A84X28X48x
USE SWE730-CN (CAGE NUT) OR SWE730 (TAPPED) MOUNTING RAILS				



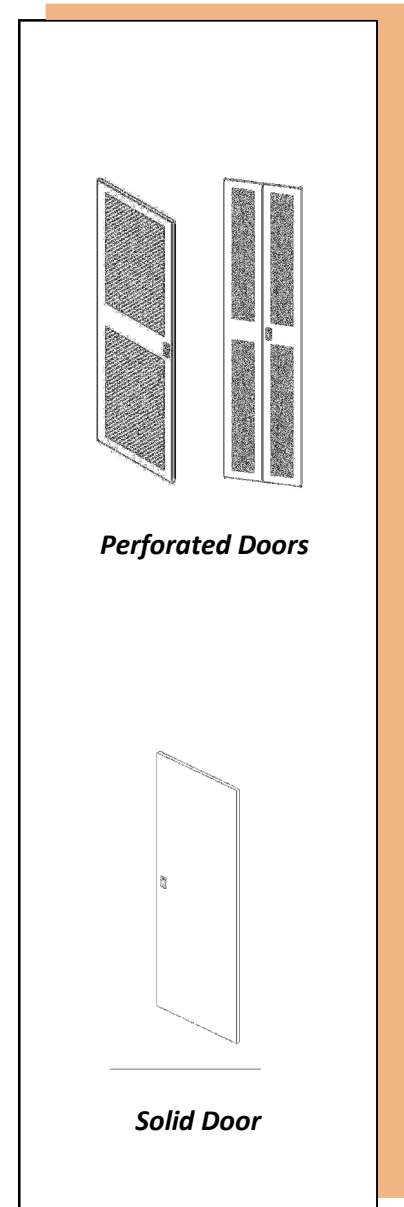
SC SERIES DOORS

Doors:

- Flush mount doors are field reversible without tools, right to left hand swing
- carbon steel all welded construction for strength
- Flush mounted lift and turn locking latches
- Optional Electronic Locks, Proximity Locks and Combo Locks available
- Optional Perforated, Split , Plexiglas, Vented or Solid versions
- Choice of colors: *Color Code* = “-x” Black (BLK) or IBM White (W)

48" H Frame	72"H Frame	78"H Frame	84"H Frame	Width
Perforated:				
DPRF-A42X22x	DPRF-A66X22x	DPRF-A72X22x	DPRF-A78X22x	24"
DPRF-A42X26x	DPRF-A66X26x	DPRF-A72X26x	DPRF-A78X26x	28"
Split Perforated:				
DPRF-A42X22-2x	DPRF-A66X22-2x	DPRF-A72X22-2x	DPRF-A78X22-2x	24"
DPRF-A42X26-2x	DPRF-A66X26-2x	DPRF-A72X26-2x	DPRF-A78X26-2x	28"
Plexiglas:				
DPLX-A42X22x	DPLX-A66X22x	DPLX-A72X22x	DPLX-A78X22x	24"
DPLX-A42X26x	DPLX-A66X26x	DPLX-A72X26x	DPLX-A78X26x	28"
Solid:				
DSTL-A42X22x	DSTL-A66X22x	DSTL-A72X22x	DSTL-A78X22x	24"
DSTL-A42X26x	DSTL-A66X26x	DSTL-A72X26x	DSTL-A78X26x	28"
Vented:				
DSTLV-A42X22x	DSTLV-A66X22x	DSTLV-A72X22x	DSTLV-A78X22x	24"
DSTLV-A42X26x	DSTLV-A66X26x	DSTLV-A72X26x	DSTLV-A78X26x	28"

Lock Options:





SC SERIES SIDE PANELS, FRAME COUPLER

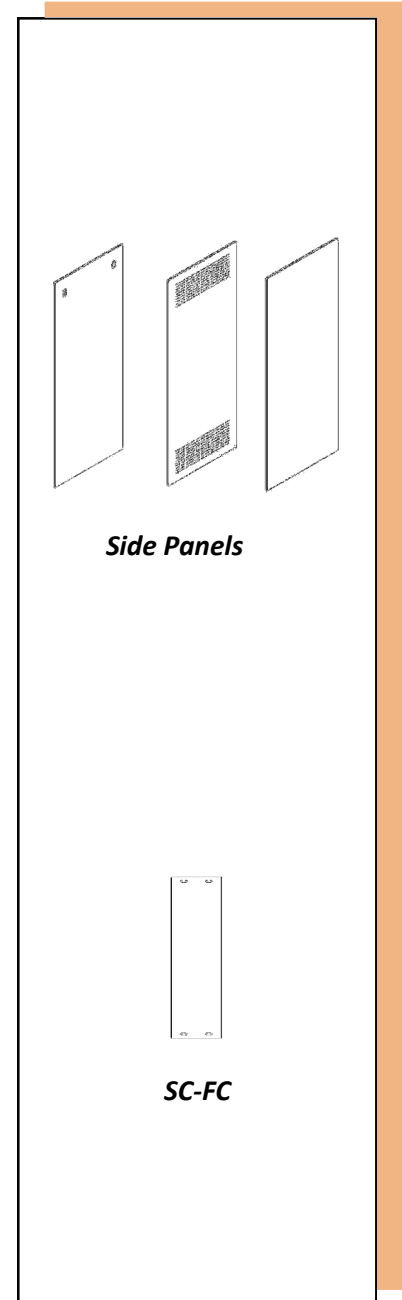
Side Panels:

- Flush mount side panels secured from inside for optimum security
- Constructed from carbon steel
- Optional Quick Release locking latches available
- Optional solid or vented versions
- Choice of colors: *Color Code* = "x" Black (BLK) or IBM White (W)

24"D Frame	30"D Frame	36"D Frame	42"D Frame	48"D Frame
48"H (23U)				
SP-A42X22x	SP-A42X28x	SP-A42X34x	SP-A42X40x	SP-A42X46X
72"H (37U)				
SP-A66X22x	SP-A66X28x	SP-A66X34x	SP-A66X40x	SP-A66X46x
78"H (42U)				
SP-A72X22x	SP-A72X28x	SP-A72X34x	SP-A78X40x	SP-A78X46x
84"H (44U)				
SP-A78X22x	SP-A78X28x	SP-A78X34x	SP-A78X40x	SP-A78X46x
Note: Add "V" to part number for Vented e.g. SP-A42X22-VBLK				

Frame Couplers: SC-FC

- Top mount frame couplers install easily to factory pre-drilled frames
- Flat plate 2"W x 18" long enables (2) SC Series frames of the same height and depth to be bayed together
- Enables bayed units to be centered on raised floor tiles (no space between frames)
- Includes installation hardware
- Black (BLK) powder coat finish

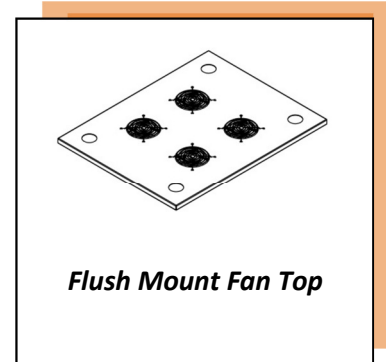




SC SERIES TOPS AND BOTTOMS

Tops:

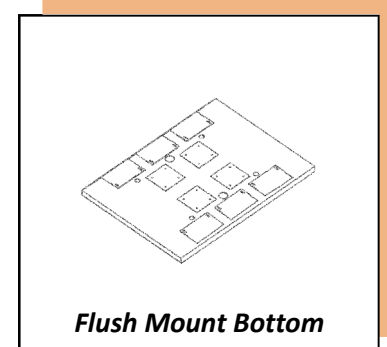
- Flush mount tops available in 3 styles for 24" wide and 28" wide frames:
 - Top with Fan Holes
 - Solid
 - Perforated
- Fan tops have (4) fan holes for 30"D, 36"D, 42"D and 48"D frames
- Fan tops for 24"D cabinets have (2) fan holes
- Fan holes have easily removable covers when fans not required
- Solid and Fan Tops have cable entry knockouts in each corner



24" Deep	30" Deep	36" Deep	42" Deep	48" Deep
Fan Top:				
FMT-A22X16-FHx	FMT-A22X22-FHx	FMT-A22x28-FHx	FMT-A22X34-FHx	FMT-A22X40-FHx
FMT-A26X16-FHx	FMT-A26X22-FHx	FMT-A26x28-FHx	FMT-A26X34-FHx	FMT-A26X40-FHx
Solid Top:				
FMT-A22X16x	FMT-A22X22x	FMT-A22X28x	FMT-A22X34x	FMT-A22X40x
FMT-A26X16x	FMT-A26X22x	FMT-A26X28x	FMT-A26X34x	FMT-A26X40x
Perforated Top:				
FMT-A22X16-PRFx	FMT-A22X22-PRFx	FMT-A22X28-PRFx	FMT-A22X34-PRFx	FMT-A22X40-PRFx
FMT-A26X16-PRFx	FMT-A26X22-PRFx	FMT-A26X28-PRFx	FMT-A26X34-PRFx	FMT-A26X40-PRFx

Bottoms:

- Available for 24"W and 28"W cabinets in 5 depths
- Prevents airflow from entering the bottom of the cabinet
- 24"D versions have (2) covered fan holes, deeper versions have (4) covered fan holes (part # 19155K23 if filter is required for fan hole)
- Includes cable entry holes with covers



24" Deep	30" Deep	36" Deep	42" Deep	48" Deep
24" W Frame:				
FMB-A24X24-FHx	FMB-A24X30-FHx	FMB-A24x36-FHx	FMB-A24X42-FHx	FMB-A24X48-FHx
28" W Frame:				
FMB-A28X24-FHx	FMB-A28X30-FHx	FMB-A28x36-FHx	FMB-A28X42-FHx	FMB-A28X48-FHx



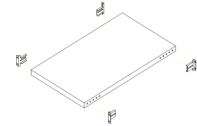
SC SERIES CABINET ACCESSORIES

Shelves:

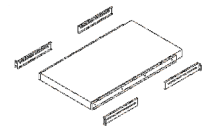
- 19" wide rack mount units
- Formed carbon steel construction for stiffness and strength
- Allows cable access in rear when used with appropriate frame
- 17" wide, mounting brackets use 1RMU of space
- 150 lb. weight capacity
- Roll-Out shelves use full ball bearing slides for full extension
- Vented versions available
- Choice of colors: *Color Code = "x"* Black (BLK) or IBM White (W)

Shelf Depth:

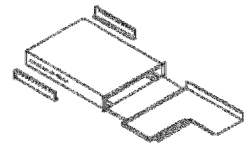
18" Deep	24" Deep	30" Deep	36" Deep
Fixed Equipment Shelf			
SWE2000-SF18Dx	SWE2000-SF24Dx	SWE2000-SF30Dx	SWE2000-SF36Dx
SWE2000-SFV18Dx (Vented)	SWE2000-SFV24Dx (Vented)	SWE2000-SFV30Dx (Vented)	SWE2000-SFV36Dx (Vented)
Roll-Out Shelf			
SWE2000-SR18Dx	SWE2000-SR24Dx	SWE2000-SR30Dx	SWE2000-SR36Dx
SWE2000-SRV18Dx (Vented)	SWE2000-SRV24Dx (Vented)	SWE2000-SRV30Dx (Vented)	SWE2000-SRV36Dx (Vented)
Monitor Shelf & Articulating KB Tray			
	SWE2249x		
Adjustable Shelf (20" to 32")			
	SWE2573x 100 lb. wt. capacity	SWE2573x 100 lb. wt. capacity	
	SWE2573-Vx (Vented)	SWE2573-Vx (Vented)	
Lockable Drawer (20" Deep)			
SWE836x 75 lb. wt. capacity	SWE836x 75 lb. wt. capacity		



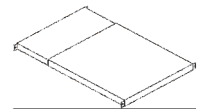
SWE2000-SF30D



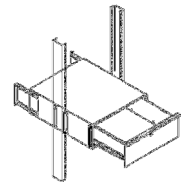
SWE2000-SR30D



SWE2249



SWE2573



SWE836



SC SERIES CABINET ACCESSORIES cont'd

Vertical Cable Managers:

- Mounts to any SWDP cabinet frame in same track as mounting rails
- Provides a convenient cable run vertically
- Can be mounted on either side, in front or rear of cabinet
- All steel construction
- Choice of colors: *Color Code* = "x" Black (BLK) or IBM White (W)

48"H Frame 23U	
SWE722x	Vertical Cable Manager 1.62"W X 40.25"H
72"H Frame 37U	
SWE720x	Vertical Cable Manager 1.62"W X 64.75"H
78"H Frame 42U	
SWE725x	Vertical Cable Manager 1.62"W X 73.5"H
84"H Frame 44U	
SWE721x	Vertical Cable Manager 1.62"W X 77" H

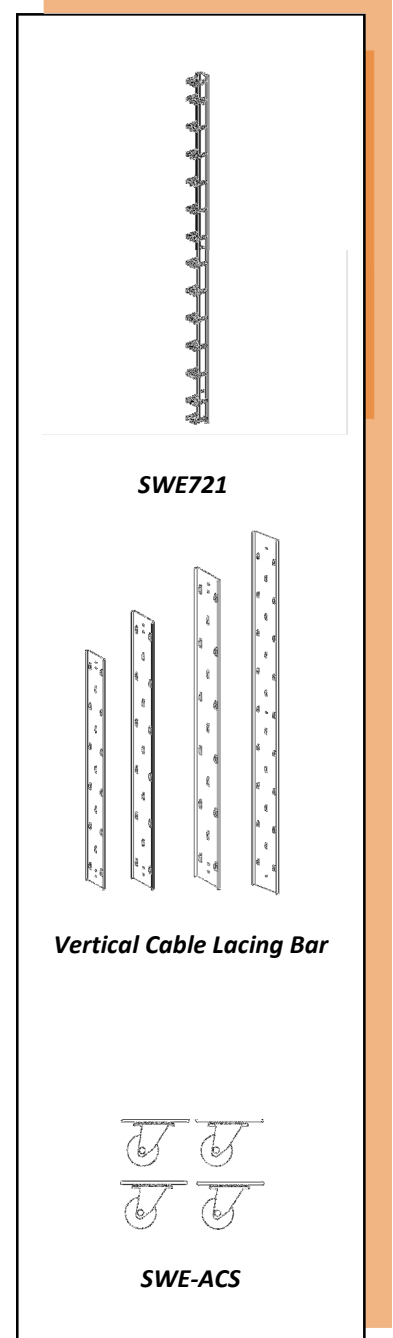
Vertical Cable Lacing Bar

- Neatly organizes cable bundles with slots provided for Velcro or other cable straps
- Creates quick cable management solutions for any SWDP cabinet series
- Available in 4 heights, 3.5" wide
- Formed 16 gauge steel construction
- Black Powder Coat finish

Part #	Description
SWE751BLK	Vertical Cable Lacing Bar – 3.5" W x 77"H (44U)
SWE752BLK	Vertical Cable Lacing Bar – 3.5"W x 40.25"H (23U)
SWE753BLK	Vertical Cable Lacing Bar – 3.5"W x 64.74"H (37U)
SWE754BLK	Vertical Cable Lacing Bar – 3.5"W x 73.5"H (42U)

Castors: SWE-ACS

- Heavy duty roller bearing construction rated for 1000 lbs. per set
- Mounts to any SC Series frame
- Full swivel





SC SERIES CABINET ACCESSORIES cont'd

Power Strips: SWE705 Series

- Breaker protected, UL Listed
- Metal construction for durability

15 AMP	Description
SWE705-10TL	(10) 15 AMP outlets, 48"L, 15' cord, Twist Lock Plug
SWE705-16	(16) outlets, 48"L, 15' cord
SWE705-24-15A	(24) outlets, 70" long, 15' cord
SWE705-8	(8) outlets, 44" long, 15' cord
SWE705-RM	RACK MOUNT, (8) outlet, 15' cord
20 AMP	
SWE705-10-15TL	(10) outlets, 15" cord, L5P20 Twist Lock Plug, 48"L
SWE705-10-20A	(14) outlets, 15' cord, 20A plug, 48"L
SWE705-10-20ATL	(14) outlets, 15' cord, L5P20 Twist Lock Plug, 48"L
SWE705-24-20A	(24) outlets, 15' cord, 20A plug, 70"L
SWE705-24-20ATL	(24) outlets, 15' cord, L5P20 Twist Lock plug, 70"L
SWE705-20R-RM	RACK MOUNT, (8) outlet, 15 ft. cord

Fans: SWE706 Series

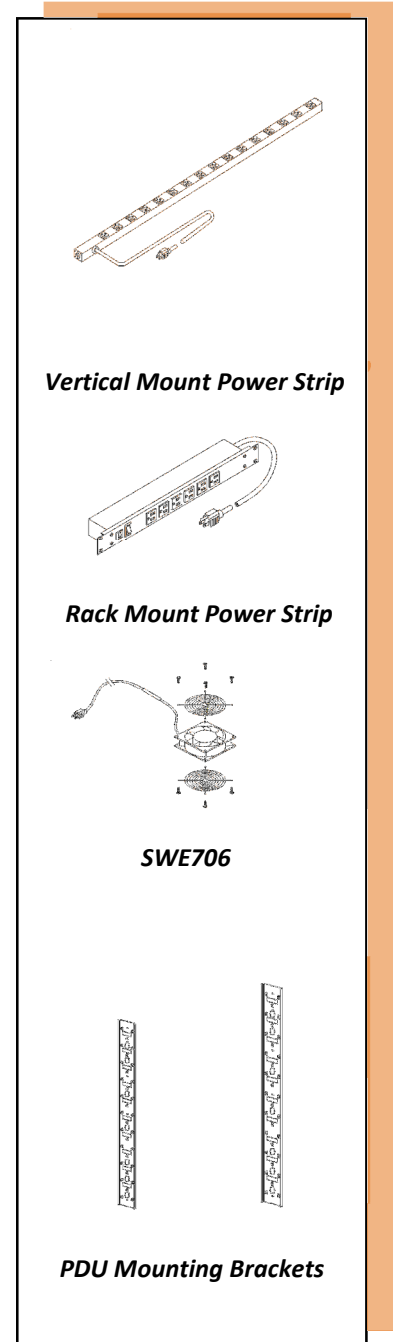
- Can be mounted in any SWDP fan top or wall mount cabinet with fan holes
- Sealed bearings, (2) finger guards included

Part #	Description
SWE706-2	(2) 110 CFM Axial Fans w/6' cord, 115V
SWE706-4	(4) 110 CFM Axial Fans w/6' cord, 115V
SWE706	110 CFM Axial Fan w/6' cord, 115V

PDU Vertical Mounting Bracket

- Available in 3 heights
- Full length bracket attaches to cabinet frame to provide options for mounting Vertical power distribution units
- Provides tie points for power cords
- Black Powder Coat finish

Part #	Description
SC-PDUBK-45U	PDU Vertical Mounting Bracket 77"
SC-PDUBK-42U	PDU Vertical Mounting Bracket 73.5"
SC-PDUBK-37U	PDU Vertical Mounting Bracket 64.75"





SC SERIES EXHAUST DUCT, AIR DAM KIT, AIRFLOW DIRECTOR

Vertical Exhaust Duct

- Guides hot air away from cabinet top to a drop ceiling plenum or overhead duct work
- For use with SC Series cabinets 42" and 48" D – includes top panel w/cutout
NOTE: MUST SPECIFY CABINET SIZE WHEN ORDERING SEPARATELY
- Telescopes to match ceiling height
- Top edge gaskets to create a seal around the opening in the drop ceiling
- Steel construction
- Complete with all mounting hardware
- Choice of colors: *Color Code = "x"* Black (BLK) or IBM White (W)

Part Number	Description
SC-4370x	Exhaust Duct 20" to 34" H
SC-4371x	Exhaust Duct 34" to 60" H

Air Flow Director - SC-AD series

- Redirects exhaust airflow from the bottom of the cabinet towards the duct at the top

Part Number	Description
SC-AD-24x	Fits 24" W cabinets
SC-AD-28	Fits 28" W cabinets

AIR DAM KIT – SC-DK Series

- Directs cool air entering the Server Cabinet Front Door and concentrates it to equipment
- Creates a barrier between the front and rear of the cabinet to prevent mixing of the cool air with the hot equipment exhaust air.
- Further enhances the hot/cold air system
- Complete with all mounting hardware

48" TALL SC	72" TALL SC	78" TALL SC	84" TALL SC
SC-DK-48	SC-DK-72	SC-DK-78	SC-DK-84
SC-DK-48-28	SC-DK-72-28	SC-DK-78-28	SC-DK-84-28

