



**ECONOMY SERIES PRE-CONFIGURED CABINETS**

**FEATURES**

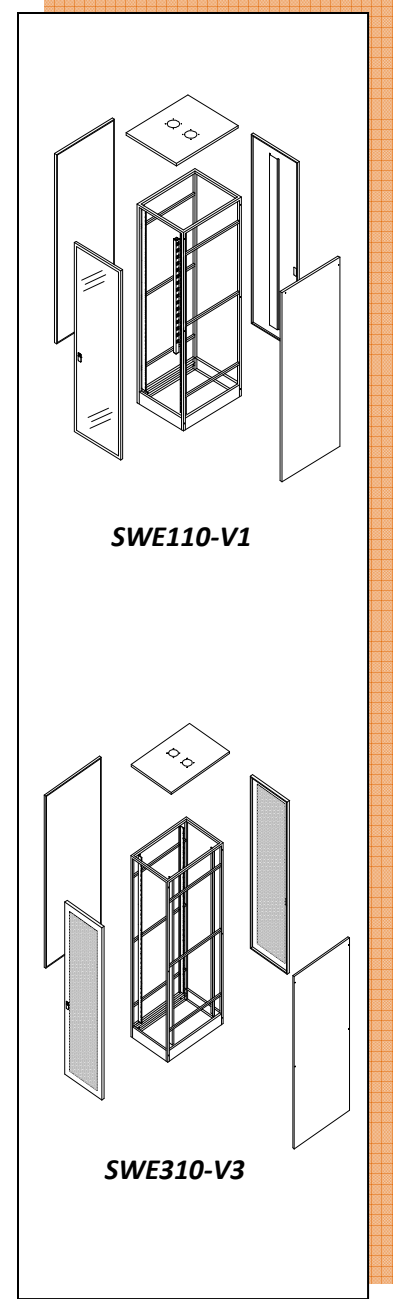
- 19" wide rack mount
- Available in 3 heights and 4 depths
- All welded 16 gauge steel tubing construction
- 600 lbs. Dynamic weight load
- UL Listed
- Seismic Zone 4 rated with use of Seismic Brace Kit (pn 500032)
- Removable side panels create easy access for cable routing
- All doors include locks – front and rear doors keyed alike
- Mounting rails tapped #10-32 on EIA standards and are fully adjustable front to rear.  
NOTE: 36" and 42" deep cabinets use Cage Nut Rails
- Choice of colors: *Color Code = "x"* Black (BLK), IBM White (W), Gray (G)

**V1 Includes: Frame, (2) pr. tapped mounting rails, (2) side panels, Plex Front Door, Solid rear door, Pagoda Top w/Fan Holes, (1) 16 Outlet Power Strip**

24" Deep	Outside Dimensions	RMU	Useable Depth
SWE120-V1x	26"Wx26"Dx48"H	23U	22"
SWE100-V1x	26"Wx26"Dx72"H	37U	22"
SWE110-V1x	26"Wx26"Dx84"H	44U	22"
30" Deep			
SWE320-V1x	26"Wx32"Dx48"H	23U	28"
SWE300-V1x	26"Wx32"Dx72"H	37U	28"
SWE310-V1x	26"Wx32"Dx84"H	44U	28"

**V3 Includes: Frame, (2) pr. Cage Nut rails, (2) side panels, (2) Perforated doors, Pagoda Top w/Fan Holes**

36" Deep	Outside Dimensions	RMU	Useable Depth
SWE320-36-V3x	26"Wx38"Dx48"H	23U	34"
SWE300-36-V3x	26"Wx38"Dx72"H	37U	34"
SWE310-36-V3x	26"Wx38"Dx84"H	44U	34"
42" Deep			
SWE320-42-V3x	26"Wx44"Dx48"H	23U	40"
SWE300-32-V3x	26"Wx44"Dx72"H	37U	40"
SWE310-42-V3x	26"Wx44"Dx84"H	44U	40"





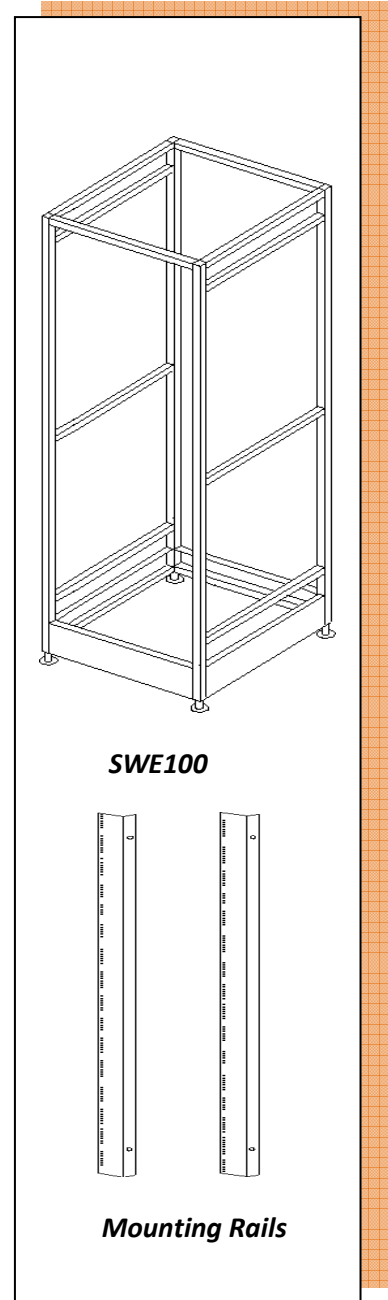
**ECONOMY SERIES FRAMES AND MOUNTING RAILS**

**Features**

- 19" or 23" wide rack mount
- Available in 3 heights and 4 depths
- All welded 16 gauge steel tubing constructed frames
- Frames are UL Listed
- Choice of colors: *Color code = x*  
Black (BLK), IBM White (W), ASA 61 Gray (G)
- 12 gauge steel mounting rails available in Cage Nut or Tapped versions
- Tapped: Holes tapped # 10-32 on EIA standard spacing
- Cage Nut: Holes punched to accept cage nuts on EIA standard spacing
- 4" wide rails convert 28" wide frame to 19" RM e.g. SWE730-4
- Mounting rails are Zinc plated
- Mounting Rails sold in pairs – includes appropriate mounting hardware when ordered with cabinet frame

**Frame Depth:**

24" Deep	30" Deep	36" Deep	42" Deep
<b>48"H x 19"RM (24" Wide) 23U</b>			
SWE120x	SWE320x	SWE320-36x	SWE320-42x
<i>Use SWE740 (Tapped) or SWE740-CN (Cage Nut) Mounting Rails</i>			
<b>72"H x 19" RM (24" Wide) 37U</b>			
SWE100x	SWE300x	SWE300-36x	SWE300-42x
<i>Use SWE700 (Tapped) or SWE700-CN (Cage Nut) Mounting Rails</i>			
<b>84"H x 19" RM (24" Wide) 44U</b>			
SWE110x	SWE310x	SWE310-36x	SWE310-42x
<i>Use SWE730 (Tapped) or SWE730-CN (Cage Nut) Mounting Rails</i>			
<b>Note: Add "-23" to Frame part number for 23" RM (28" wide frame)</b>			
<b>e.g. SWE310-23x (x= color code)</b>			





## ECONOMY SERIES DOORS AND SIDE PANELS

### Features

**Doors:** *Note: Each door adds 1" to outside dimension of frame*

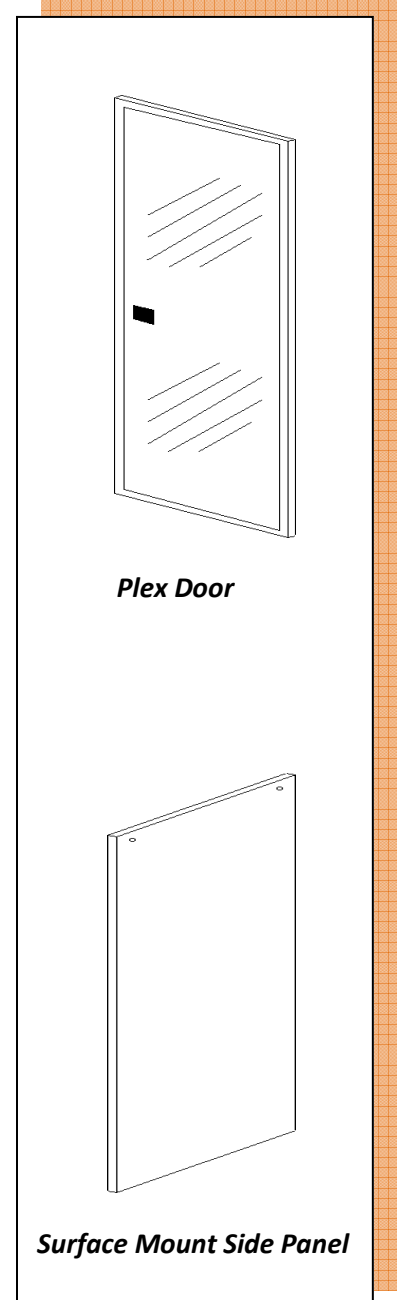
- Left or right swing available (not reversible in the field)
- Carbon steel all welded construction for strength
- Lift off cast aluminum bullet style hinges
- Flush mounted lift and turn locking latches
- Foam dust seals
- Choice of colors: *Color Code ="-x"* Black (BLK), IBM White (W) or ASA 61 Gray (G)

48"H Frame	72"H Frame	84"H Frame
<b>Plexiglas:</b>		
SWE124-L	SWE104-L	SWE114-L
<b>Solid:</b>		
SWE121-Lx	SWE101-Lx	SWE111-Lx
<b>Perforated:</b>		
SWE121-L-PRFx	SWE101-L-PRFx	SWE111-L-PRFx
<b>Louvered:</b>		
SWE122-Lx	SWE102-Lx	SWE112-Lx
<b>Note: Add "-23" to part number for 23" RM frame e.g. SWE114-L-23</b>		

**Side Panels:** *Note: Each side panel adds 1" to outside dimensions of frame*

- Easily removable surface mount (fits Economy Series only)
- Solid or louvered style
- Carbon steel construction
- Choice of colors: *Color Code ="-x"* Black (BLK), IBM White (W) or ASA 61 Gray (G)

24"D Frame	30"D Frame	36"D Frame	42"D Frame
<b>48"H (23U)</b>			
SWE123x	SWE321x	SWE321-36x	SWE321-42x
<b>72"H (37U)</b>			
SWE103x	SWE301x	SWE301-36x	SWE301-42x
<b>84"H (42U)</b>			
SWE113x	SWE311x	SWE311-36x	SWE311-42x
<b>Note: Add "V" to part number for Louvered version e.g. SWE103-VBLK</b>			



**Plex Door**

**Surface Mount Side Panel**



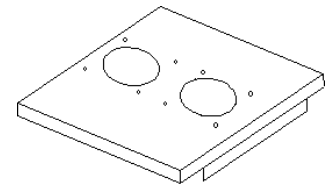
**ECONOMY SERIES CABINET TOPS AND BOTTOMS**

**Features**

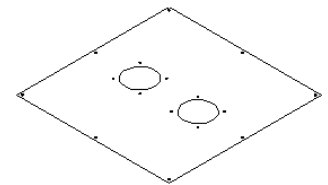
- Pagoda style top with (2) fan holes will hold up to (2) axial fans (use part number SWE706 for fan)
- Sits above frame for ventilation (adds 1.5" of height to frame)
- Flat tops available for dusty environments, with or without fan holes
- Flush mount bottoms available with or without fan holes
- Fan holes are covered when no fan or filter is required
- All welded carbon steel construction
- Fully removable
- Choice of colors: *Color Code = "x"*  
*Black (BLK), IBM White (W), Gray (G)*

**Frame Depth:**

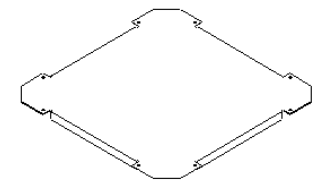
24" Deep	30" Deep	36" Deep	42" Deep
<b>Pagoda Top w/Fan Holes</b>			
SWE105-FHx	SWE302-FHx	SWE302-FH-36x	SWE302-FH-42x
<b>Flat Top w/Fan Holes</b>			
SWE106-FHx	SWE306-FHx	SWE306-FH-36x	SWE306-FH-42x
<b>Flat Top without Fan Holes</b>			
SWE106x	SWE306x	SWE306-36x	SWE306-42x
<b>Bottom w/Fan Holes</b>			
SWE107-FHx	SWE307-FHx	SWE307-FH-36x	SWE307-FH-42x
<b>Bottom without Fan Holes</b>			
SWE107x	SWE307x	SWE307-36x	SWE307-42x
<b>Note: Add "-23" to part number for 23" RM frames e.g. SWE105-FH-23x</b>			



**Pagoda Top w/Fan Holes**



**Flat Top w/Fan Holes**



**Bottom without Fan Holes**



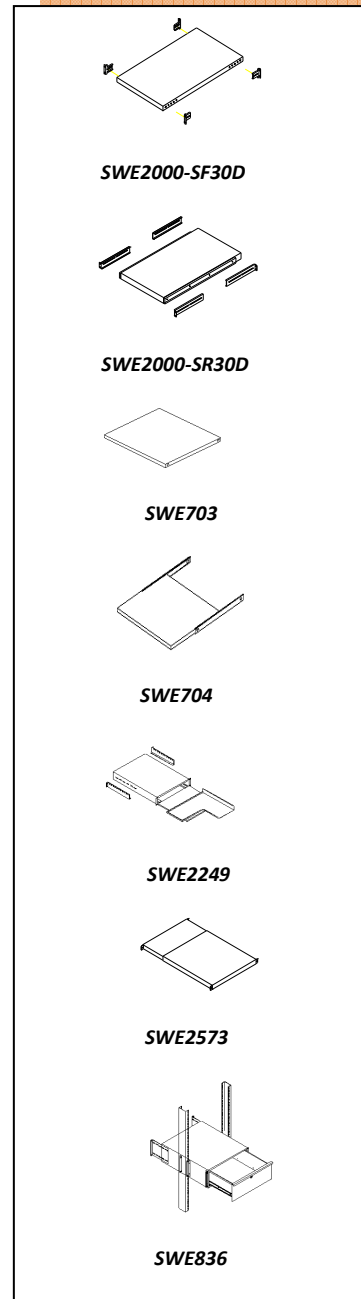
**ECONOMY SERIES SHELVES**

**Features**

- 19" and 23" wide rack mount units
- Formed carbon steel construction for stiffness and strength
- Allows cable access in rear when used with appropriate frame
- Roll-Out shelves use full ball bearing slides – ¾ extension
- Mounting hardware provided
- Vented versions available (indicated by "-V" after part number)
- Choice of colors: *Color Code = "x"*  
 Black (BLK), IBM White (W), Gray (G)

**Frame Depth:**

24" Deep	30" Deep	36" Deep	42" Deep
<b>Fixed Equipment Shelf</b>			
SWE703x 100 lb. wt. capacity	SWE708x 100 lb. wt. capacity		
SWE703-Vx	SWE708-Vx		
SWE2000-SF18Dx 150 lb. wt. capacity	SWE2000-SF24Dx 150 lb. wt. capacity	SWE2000-SF30Dx 150 lb. wt. capacity	SWE2000-SF36Dx 150 lb. wt. capacity
SWE2000-SFV18Dx	SWE2000-SFV24Dx	SWE2000-SFV30Dx	SWE2000-SFV36Dx
<b>Roll-Out Shelf</b>			
SWE704x 75 lb. wt. capacity	SWE704-HDx 200 lb. wt. capacity		
SWE704-Vx	SWE704-V-HDx		
SWE2000-SR18Dx 100 lb. wt. capacity	SWE2000-SR24Dx 125 lb. wt. capacity	SWE2000-SR30Dx 150 lb. wt. capacity	SWE2000-SR36Dx 150 lb. wt. capacity
SWE2000-SRV18Dx	SWE2000-SRV24Dx	SWE2000-SRV30Dx	SWE2000-SRV36Dx
<b>Keyboard Shelf</b>			
	SWE2249x	SWE2249x	
<b>Adjustable Shelf (20" to 32")</b>			
SWE2573x 100 lb. wt. capacity	SWE2573x 100 lb. wt. capacity	SWE2573x 100 lb. wt. capacity	
SWE2573-Vx	SWE2573-Vx	SWE2573-Vx	
<b>Lockable Drawer (20" Deep)</b>			
SWE836x 75 lb. wt. capacity	SWE836x 75 lb. wt. capacity		
<b>Note: Add "-23" to part number for 23" RM shelves e.g. SWE703-23BLK</b>			





**ECONOMY SERIES GENERAL ACCESSORIES**

**Seismic Bracing: (# 500032)**

- Mounts to any SWDP Economy Series frame – all frames are pre-drilled to accept angles
- Heavy duty structural angle construction
- Hardware to mount to frame provided – Floor mounting hardware not provided
- Sold in sets of (4)

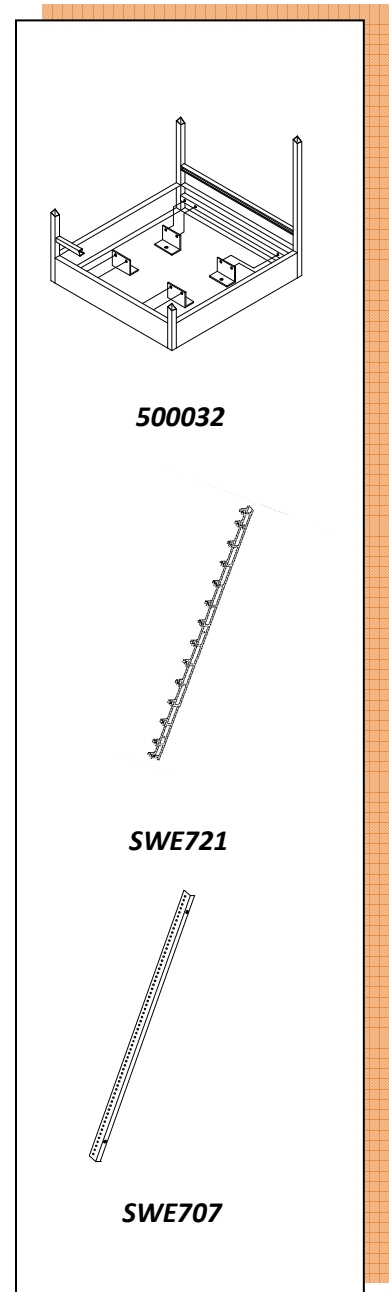
**Vertical Cable Managers**

- Mounts to any SWDP cabinet frame in same track as mounting rails
- Provides a convenient cable run vertically
- Can be mounted on either side, in front or rear of cabinet
- All steel construction
- Choice of colors: *Color Code* = “x” Black (BLK), IBM White (W), Gray (G)

<b>4 Ft. Frame</b>	
SWE722x	Vertical Cable Manager 1.62”W x 40.25”H
<b>6 Ft. Frame</b>	
SWE720x	Vertical Cable Manager 1.62”W x 64.75”H
<b>7 Ft. Frame</b>	
SWE721x	Vertical Cable Manager 1.62”W x 77” H

**Strain Relief Bar – SWE707**

- Provides holes on 1” intervals for cable ties
- 16 gauge carbon steel construction
- Mounts vertically in any SWDP 72” or taller cabinet frame
- Fully adjustable from front to rear of cabinet
- Zinc plated





**ECONOMY SERIES GENERAL ACCESSORIES cont'd**

**Power Strips**

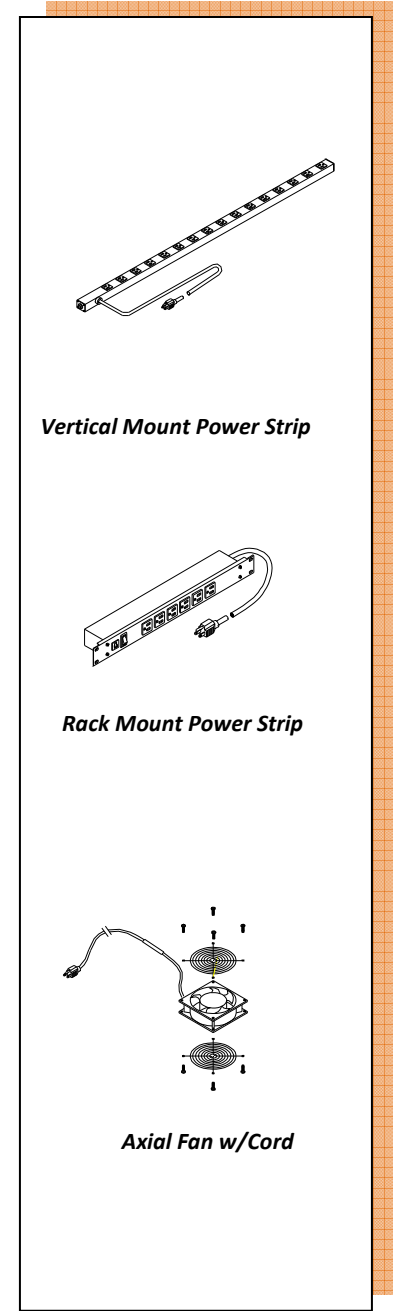
- Breaker Protected
- Metal construction for durability
- UL listed

<b>15 AMP</b>	<b>Description</b>
SWE705-10TL	(10) 15 AMP outlets, 48"L, 15' cord, Twist Lock Plug
SWE705-16	(16) outlets, 48"L, 15' cord
SWE705-24-15A	(24) outlets, 70" long, 15' cord
SWE705-8	(8) outlets, 44" long, 15' cord
SWE705-RM	RACK MOUNT, (8) outlet, 15' cord
<b>20 AMP</b>	
SWE705-10-15TL	(10) outlets, 15" cord, L5P20 Twist Lock Plug, 48"L
SWE705-10-20A	(14) outlets, 15' cord, 20A plug, 48"L
SWE705-10-20ATL	(14) outlets, 15' cord, L5P20 Twist Lock Plug, 48"L
SWE705-24-20A	(24) outlets, 15' cord, 20A plug, 70"L
SWE705-24-20ATL	(24) outlets, 15' cord, L5P20 Twist Lock plug, 70"L
SWE705-20R-RM	RACK MOUNT, (8) outlet, 15 ft. cord

**Fans**

- 6 ft. Power Cord included
- (2) finger guards included
- Can be mounted in any SWDP fan top or wall mount cabinet with fan holes
- 115 VAC
- Sealed bearings

<b>Part #</b>	<b>Description</b>
SWE706	110 CFM Axial Fan w/6' cord, 115V
SWE706-53CFM	53 CFM Axial Fan w/6' cord, 115V



**Vertical Mount Power Strip**

**Rack Mount Power Strip**

**Axial Fan w/Cord**



**ECONOMY SERIES GENERAL ACCESSORIES cont'd**

**Casters – SWE709**

- Fits any 19" rack mount Economy Series floor cabinet  
Note: For 23" rack mount cabinets, use part number SWE709-23
- Heavy duty roller bearing construction
- Full swivel, non-locking
- Sold in sets of 4
- Frames are pre-drilled to accept later addition of casters

**Frame Couplers / Frame Couplers with Cable Managers**

- Provides neat appearance when coupling two or more SWDP Economy Series cabinets together
- Option of providing cable management between frames
- Carbon steel construction
- Sold individually
- Choice of colors: *Color Code* = "x" Black (BLK), IBM White (W), Gray (G)

Part #	Description	Economy Frame Ht
SWE701x	2"W x 72"H	72"
SWE701-CMx	2"W x 72"H w/Cable Management	72"
SWE731x	2"W x 84"H	84"
SWE731-CMx	2"W x 84"H w/Cable Management	84"
SWE741x	2"W x 48"H	48"
SWE741-CMx	2"W x 48"H w/Cable Management	48"

**Note: Sold individually – order (2) couplers for each 2 cabinets to be joined**

