

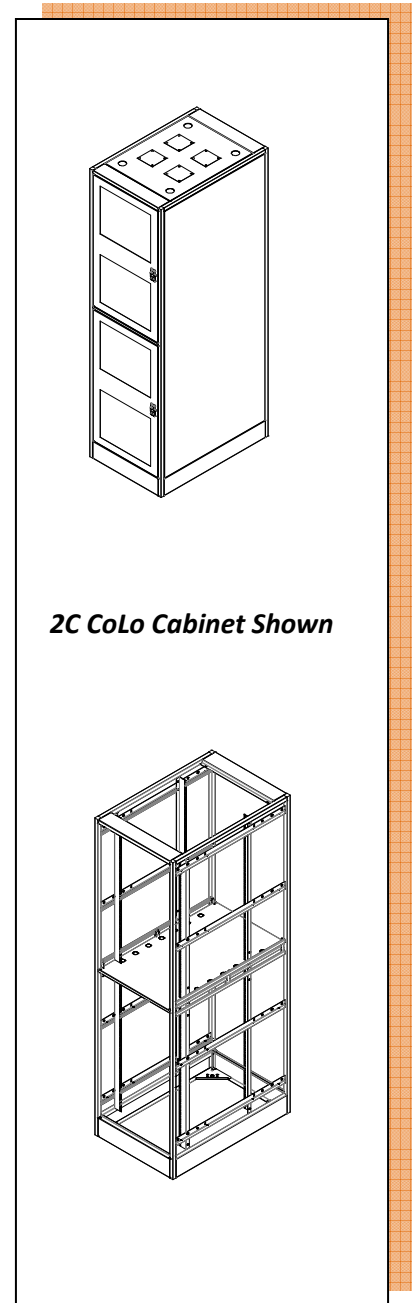


CoLo CABINET SERIES

- 19" or 23" wide rack mount
- Wider frames (28") easily converted to 19" wide rack mount
- Available in 1,2,3 and 4 compartment versions
- 84" high cabinets are available in 2 widths and 2 depths
- All welded 16 gauge steel tubing construction
- Cabinet compartments are interchangeable in the field
- Doors are flush mount, field reversible – available with Perforated or Plexiglas inserts. Solid steel doors are also available with fan holes
- Front and Rear doors to each compartment are keyed alike – each compartment is keyed differently
- Flush mount fan tops have (4) fan holes and (4) cable entry knockouts on each side
- Standard Mounting Rails are Cage Nut style punched on EIA standard spacing. Tapped (#10-32) rails also available
- Compartment dividers are vented to allow air circulation
- Flush mount side panels secured from the inside to provide optimal security
- Total weight capacity 1000 lbs. evenly distributed
- Choice of colors: *Color Code = "x"* Black (BLK) or IBM White (W)

Frames:

Part #	Outside Dimensions	Usable Depth
FR-CL84X24X36x	24" W x 36" D x 84" H	34"
FR-CL84X24X42x	24" W x 42" D x 84" H	40"
FR-CL84X28X36x	28" W x 42" D x 84" H	34"
FR-CL84X28X42x	28" W x 42" D x 84" H	40"



2C CoLo Cabinet Shown



Co-Lo CABINET SERIES COMPONENTS

Mounting Rails:

- Cage Nut style punched on EIA standard spacing
- Tapped rails have #10-32 holes on standard EIA spacing
- Heavy Duty 12 GA steel construction
- Sold in pairs
- 4" wide rails convert 23" RM to 19" RM in 28" wide frames

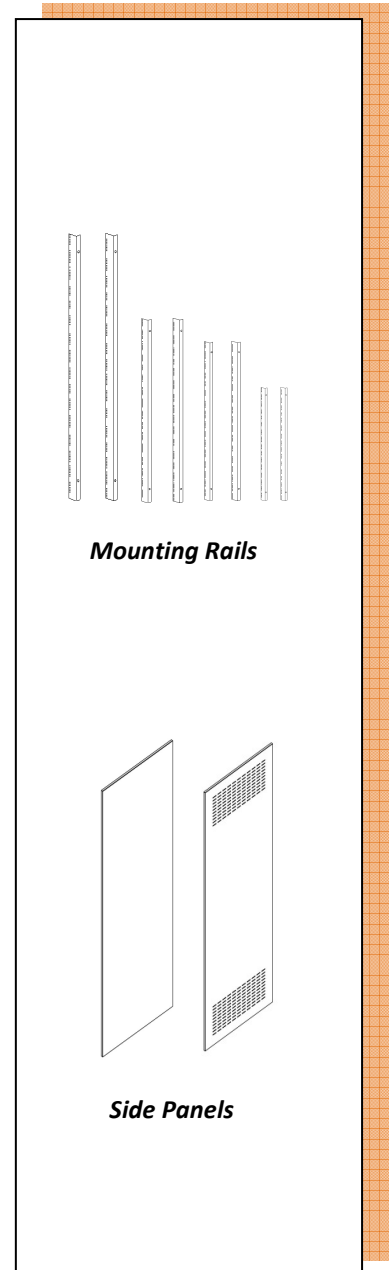
Cage Nut	Tapped	RMU	# Compartments
SWE730-CN	SWE730	44U	1C
MR38.5-CN	MR38.5	22U	2C
MR24.5-CN	MR24.5	14U	3C
MR17.5-CN	MR17.5	10U	4C

Note: Add "-4" to part number to convert 23"RM to 19"RM e.g. SWE730-CN-4

Side Panels

- Solid or vented versions available
- Flush mount secured from the inside of frame for optimal security
- Choice of colors: *Color Code* = "x" Black (BLK) or IBM White (W)

Solid	Vented	Frame Depth
SP-A78x34x	SPV-A78x34x	36"
SP-A78x40x	SPV-A78x40x	42"



Mounting Rails

Side Panels

Co-Lo CABINET SERIES COMPONENTS

Doors:

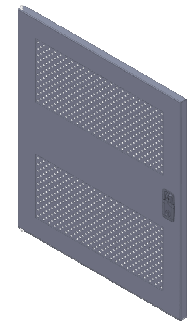
- Styles available: Plexiglas, Perforated, Solid and Solid with Fan Holes
- Lift and turn locking latches included (each compartment keyed differently)
- Combo locks available
- Flush Mount, field reversible without tools
- Choice of colors: *Color Code = "x"* Black (BLK) or IBM White (W)

24" Wide Frame

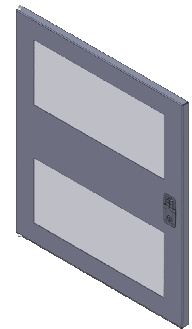
Plexiglas	Perforated	Solid	Solid w/Fan Holes
1C:			
DPLX-A78X22x	DPRF-A78X22x	DSTL-A78X22x	DSTL-A78X22-FHx
2C:			
DPLX-CL38X22x	DPRF-CL38X22x	DSTL-CL38X22x	DSTL-CL38X22-FHx
3C:			
DPLX-CL24X22x	DPRF-CL24X22x	DSTL-CL24X22x	DSTL-CL24X22-FHx
4C:			
DPLX-CL17X22x	DPRF-CL17X22x	DSTL-CL17X22x	DSTL-CL17X22-FHx

28" Wide Frame

Plexiglas	Perforated	Solid	Solid w/Fan Holes
1C:			
DPLX-A78X26x	DPRF-A78X26x	DSTL-A78X26x	DSTL-A78X26-FHx
2C:			
DPLX-CL38X26x	DPRF-CL38X26x	DSTL-CL38X26x	DSTL-CL38X26-FHx
3C:			
DPLX-CL24X26x	DPRF-CL24X26x	DSTL-CL24X26x	DSTL-CL24X26-FHx
4C:			
DPLX-CL17X26x	DPRF-CL17X26x	DSTL-CL17X26x	DSTL-CL17X26-FHx



Perf Door w/Lock



Plex Door w/Lock



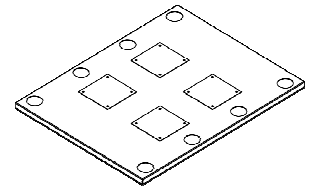
Co-Lo CABINET SERIES COMPONENTS

Cabinet Tops

- Flush mount tops have (4) covered fan holes for future addition of fans (part # SWE706-2 set of (2) 110CFM fans or SWE706-4 set of (4) fans with one cord)
- (4) cable entry knock-outs on each side of top
- Choice of colors: *Color Code = "x"* Black (BLK) or IBM White (W)

24" Wide x 36" Deep Frame	24" Wide x 42" Deep Frame
FMT-CL22X28-FHx	FMT-CL22X34-FHx

28" Wide x 36" Deep Frame	28" Wide x 42" Deep Frame
FMT-CL26X28-FHx	FMT-CL26X34-FHx



Flush Mount Top

Compartment Dividers

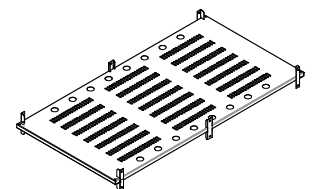
- Divider panel easily installed in field to convert existing Co-Lo cabinets
- Vented divider panel for air circulation – solid panel also available
- (4) cable entry knock-outs on each side of panel
- Choice of colors: *Color Code = "x"* Black (BLK) or IBM White (W)

24" Wide Frame

36"D - Vented	36"D Solid	42"D - Vented	42"D - Solid
SC-CL380-Vx	SC-CL380x	SC-CL380-42Vx	SC-CL380-42x

28" Wide Frame

36"D - Vented	36"D Solid	42"D - Vented	42"D - Solid
SC-CL380-28Vx	SC-CL380-28x	SC-CL380-42-28Vx	SC-CL380-42-28x



Vented Divider Panel



Co-Lo CABINET SERIES ACCESSORIES

Shelves:

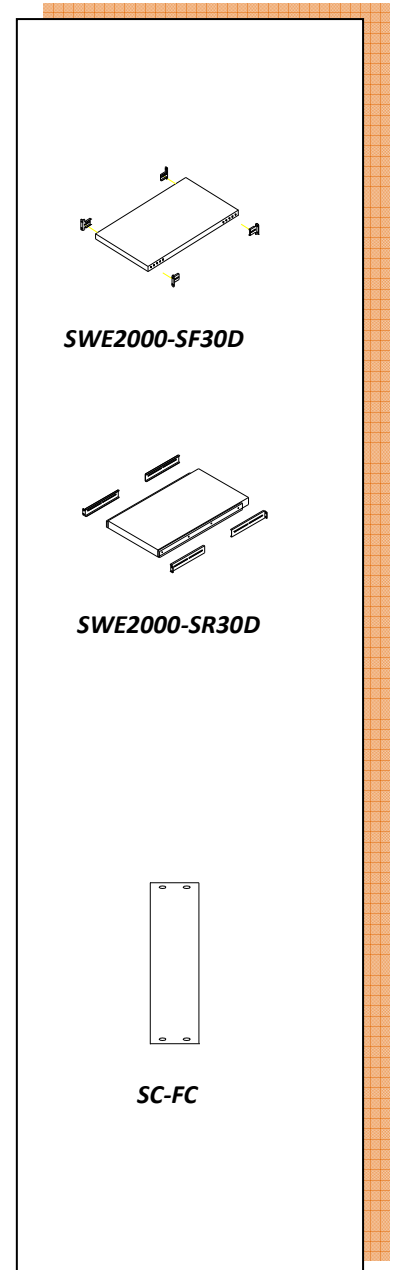
- 19" or 23" wide rack mount units
- Formed carbon steel construction for stiffness and strength
- Allows cable access in rear when used with appropriate frame
- 17" wide, mounting brackets use 1RMU of space
- 150 lb. weight capacity
- Roll-Out shelves use full ball bearing slides for full extension
- Vented versions available
- Choice of colors: *Color Code* = "x" Black (BLK) or IBM White (W)

Frame Depth:

36"D – Solid	36"D – Vented	42"D – Solid	42"D - Vented
Fixed Shelf:			
SWE2000-SF30Dx	SWE2000-SFV30D	SWE2000-SF36Dx	SWE2000-SFV36Dx
Roll-Out Shelf			
SWE2000-SR30Dx	SWE2000-SRV30Dx	SWE2000-SR36Dx	SWE2000-SRV36Dx
Note: Add "-23" to part number for 23" RM shelf e.g. SWE2000-SF30D-23x			

Frame Couplers: SC-FC

- Top mount frame couplers install easily to factory pre-drilled frames
- Flat plate 2"W x 18" long enables (2) SC Series frames of the same height and depth to be bayed together
- Enables bayed units to be centered on raised floor tiles (no space between frames)
- Includes installation hardware
- Black (BLK) powder coat finish



Co-Lo CABINET SERIES ACCESSORIES

Power Strips:

- Breaker protected, UL Listed
- Metal construction for durability

15 AMP	Description
SWE705-10TL	(10) 15 AMP outlets, 48" L, 15' cord, Twist Lock Plug
SWE705-16	(16) outlets, 48" L, 15' cord
SWE705-24-15A	(24) outlets, 70" long, 15' cord
SWE705-8	(8) outlets, 44" long, 15' cord
SWE705-RM	RACK MOUNT, (8) outlet, 15' cord
20 AMP	
SWE705-10-15TL	(10) outlets, 15" cord, L5P20 Twist Lock Plug, 48" L
SWE705-10-20A	(14) outlets, 15' cord, 20A plug, 48" L
SWE705-10-20ATL	(14) outlets, 15' cord, L5P20 Twist Lock Plug, 48" L
SWE705-24-20A	(24) outlets, 15' cord, 20A plug, 70" L
SWE705-24-20ATL	(24) outlets, 15' cord, L5P20 Twist Lock plug, 70" L
SWE705-20R-RM	RACK MOUNT, (8) outlet, 15 ft. cord

Fans:

- Can be mounted in any SWDP fan top or wall mount cabinet with fan holes
- Sealed bearings
- (2) finger guards included

Part #	Description
SWE706	110 CFM Axial Fan w/6' cord, 115V
SWE706-53CFM	53 CFM Axial Fan w/6' cord, 115V

Castors: SWE-ACS

- Heavy duty roller bearing construction rated for 1000 lbs. per set
- Mounts to any SC Series frame
- Full swivel

