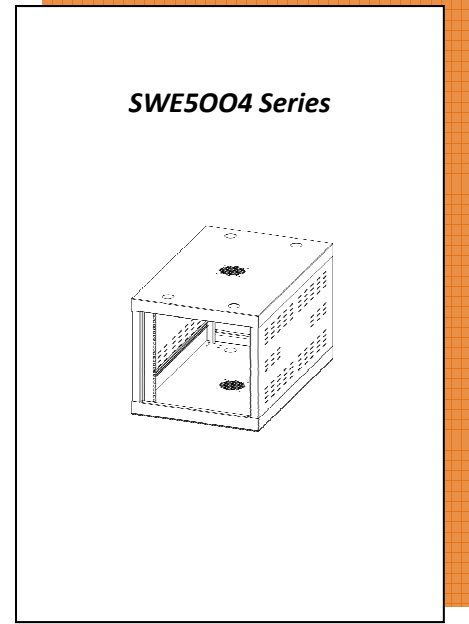




**SERIES 5000 'M'ULTI-FUNCTION FLOOR CABINET**

- Provides a secure small floor mounted cabinet to house servers and data wiring devices
- Available in 6 heights and 3 depths
- Heights to fit under counters and desks
- 19" wide rack mount unit
- Vented sides
- Sold *without* doors – optional doors include Plexiglas, Perforated, and solid styles
- Doors are field reversible without tools
- All doors have installed locks
- Stackable
- All welded steel construction
- Includes (2) pr. of Cage Nut mounting rails – fully adjustable front to rear
- Four 2" cable entry knockouts front and rear
- Vented fan hole top and bottom
- Includes leveling feet and bag of (24) M6 Cage Nuts & screws
- Choice of colors: *Color Code* = "x" Black (BLK) or IBM White (W)



Part #	Dimensions	Useable Depth	Wt. Capacity	Door Options	
SWE5004-6UDx	23"W X 24"D X 13.5"H	22.5"	300 lbs.	6U CABS:	SWE5004-6PLXx
SWE5004-6UEx	23"W X 30"D X 13.5"H	28.5"	300 lbs.		SWE5004-6PRFx
SWE5004-6UFx	23"W X 36"D X 13.5"H	34.5"	300 lbs.		SWE5004-6STLx
SWE5004-9UDx	23"W X 24"D X 18.75"H	22.5"	300 lbs.	9U CABS:	SWE5004-9PLXx
SWE5004-9UEx	23"W X 30"D X 18.75"H	28.5"	300 lbs.		SWE5004-9PRFx
SWE5004-9UFx	23"W X 36"D X 18.75"H	34.5"	300 lbs.		SWE5004-9STLx
SWE5004-12UDx	23"W X 24"D X 24"H	22.5"	300 lbs.	12U CABS:	SWE5004-12PLXx
SWE5004-12UEx	23"W X 30"D X 24"H	28.5"	300 lbs.		SWE5004-12PRFx
SWE5004-12UFx	23"W X 36"D X 24"H	34.5"	300 lbs.		SWE5004-12STLx
SWE5004-15UDx	23"W X 24"D X 29.25"H	22.5"	300 lbs.	15U CABS:	SWE5004-15PLXx
SWE5004-15UEx	23"W X 30"D X 29.25"H	28.5"	300 lbs.		SWE5004-15PRFx
SWE5004-15UFx	23"W X 36"D X 29.25"H	34.5"	300 lbs.		SWE5004-15STLx
SWE5004-18UDx	23"W X 24"D X 36"H	22.5"	400 lbs.	18U CABS:	SWE5004-18PLXx
SWE5004-18UEx	23"W X 30"D X 36"H	28.5"	400 lbs.		SWE5004-18PRFx
SWE5004-18UFx	23"W X 36"D X 36"H	34.5"	400 lbs.		SWE5004-18STLx
SWE5004-26UDx	23"W X 24"D X 48"H	22.5"	400 lbs.	26U CABS:	SWE5004-26PLXx
SWE5004-26UEx	23"W X 30"D X 48"H	28.5"	400 lbs.		SWE5004-26PRFx
SWE5004-26UFx	23"W X 36"D X 48"H	34.5"	400 lbs.		SWE5004-26STLx

**Note: Door Options – "PLX" = Plexiglas, "PRF" = Perforated, "STL" = Solid**



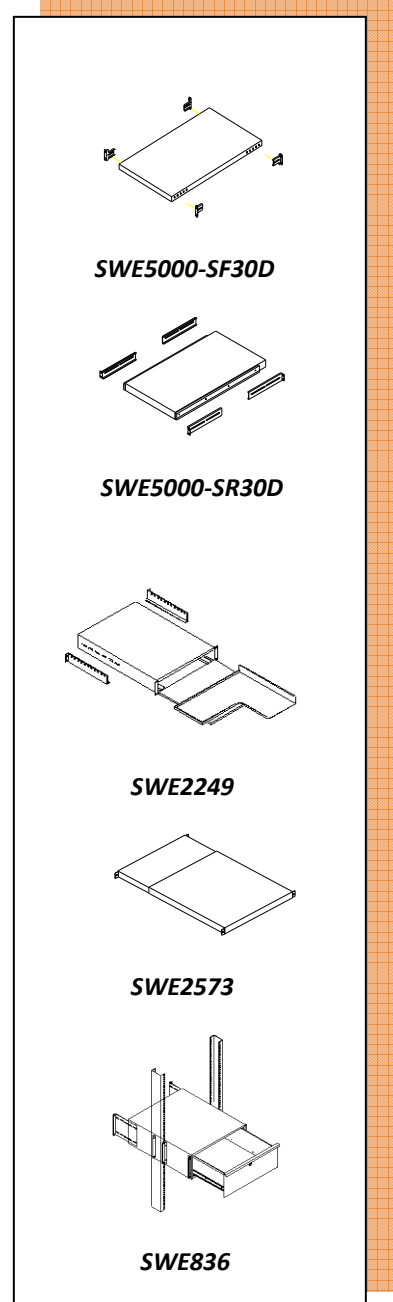
**SERIES 5000 CABINET ACCESSORIES**

**Shelves:**

- 19" wide rack mount units
- Formed carbon steel construction for stiffness and strength
- Allows cable access in rear when used with appropriate frame
- 17" wide, mounting brackets use 1RMU of space
- 150 lb. weight capacity
- Roll-Out shelves use full ball bearing slides for full extension
- Vented versions available
- Choice of colors: *Color Code* = "x" Black (BLK) or IBM White (W)

**Frame Depth:**

24" Deep	30" Deep	36" Deep
<b>Fixed Equipment Shelf</b>		
SWE5000-SF18Dx	SWE5000-SF24Dx	SWE5000-SF30Dx
SWE5000-SFV18Dx (Vented)	SWE5000-SFV24Dx (Vented)	SWE5000-SFV30Dx (Vented)
<b>Roll-Out Shelf</b>		
SWE5000-SR18Dx	SWE5000-SR24Dx	SWE5000-SR30Dx
SWE5000-SRV18Dx (Vented)	SWE5000-SRV24Dx (Vented)	SWE5000-SRV30Dx (Vented)
<b>Monitor Shelf &amp; Articulating KB Tray</b>		
	SWE2249x	SWE2249x
<b>Adjustable Shelf (20" to 32")</b>		
SWE2573x 100 lb. wt. capacity	SWE2573x 100 lb. wt. capacity	SWE2573x 100 lb. wt. capacity
SWE2573-Vx	SWE2573-Vx	SWE2573-Vx
<b>Lockable Drawer (20" Deep)</b>		
SWE836x 75 lb. wt. capacity	SWE836x 75 lb. wt. capacity	





**SERIES 5000 CABINET ACCESSORIES cont'd**

**Power Strips:**

- Breaker protected
- Metal construction for durability
- UL Listed

<b>15 AMP</b>	<b>Description</b>
SWE705-8	(8) outlets, 44" long, 15' cord
SWE705-RM	RACK MOUNT, (8) outlet, 15' cord
<b>20 AMP</b>	
SWE705-20R-RM	RACK MOUNT, (8) outlet, 15 ft. cord

**Fans:**

- Can be mounted in any SWDP fan top or wall mount cabinet with fan holes
- Sealed bearings
- (1) finger guard included

<b>Part #</b>	<b>Description</b>
SWE706	110 CFM Axial Fan w/6' cord, 115V
SWE706-53CFM	53 CFM Axial Fan w/6' cord, 115V

**Casters: SWE5000-CS**

- Heavy duty roller bearing construction
- Mounts to any Series 5000 frame
- Full swivel

